

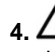
INSTALLATION INSTRUCTIONS

High Bay 2-Bar, 3-Bar, 4-Bar and 6 Bar LED Light Fixtures

SAVE THESE INSTRUCTIONS

IMPORTANT SAFETY INFORMATION

For your protection, read instructions before installation. To be installed by a qualified electrician. Gloves should be worn to protect hands from sharp edges. Protective eye wear should be worn to prevent eye injuries.

1. Electric current can cause serious injury, or death. For your safety, remember the following:
 - Turn off the power to fixture circuit.
 - Ground the fixture to avoid potential electrical shocks.
 - Do not handle a fixture that is on.
 - Check all electrical connections to be sure they are tight and correct.
2. Specific safety information concerning fixture:
 - Do not remove or install fixture when power is on.
 - Protect fixture from direct contact with water.
 - Do not operate fixture without covers in place.
3. Install and wire fixture per all applicable national and local electrical codes. **THIS PRODUCT MUST BE INSTALLED IN ACCORDANCE WITH THE APPLICABLE INSTALLATION CODE BY A PERSON FAMILIAR WITH THE CONSTRUCTION AND OPERATION OF THE PRODUCT AND THE HAZARDS INVOLVED.**
4.  **CAUTION: RISK OF FIRE.** All fixtures listed above are rated for use in 110-277V, 50-60 Hz protected circuit and 90°C rated supply wire. Prior to installing the fixture, check fixture for any signs of damage due to shipping. If damage has occurred, please contact the place of purchase. They will assist you in replacement or repair if required.

Installation

1. **Mounting.** The fixture is designed for indoor use only. It is to be suspended from a minimum of two steel cables with at least 50 lbs. of tensile strength each. The fixture should be a minimum of six inches below the ceiling.

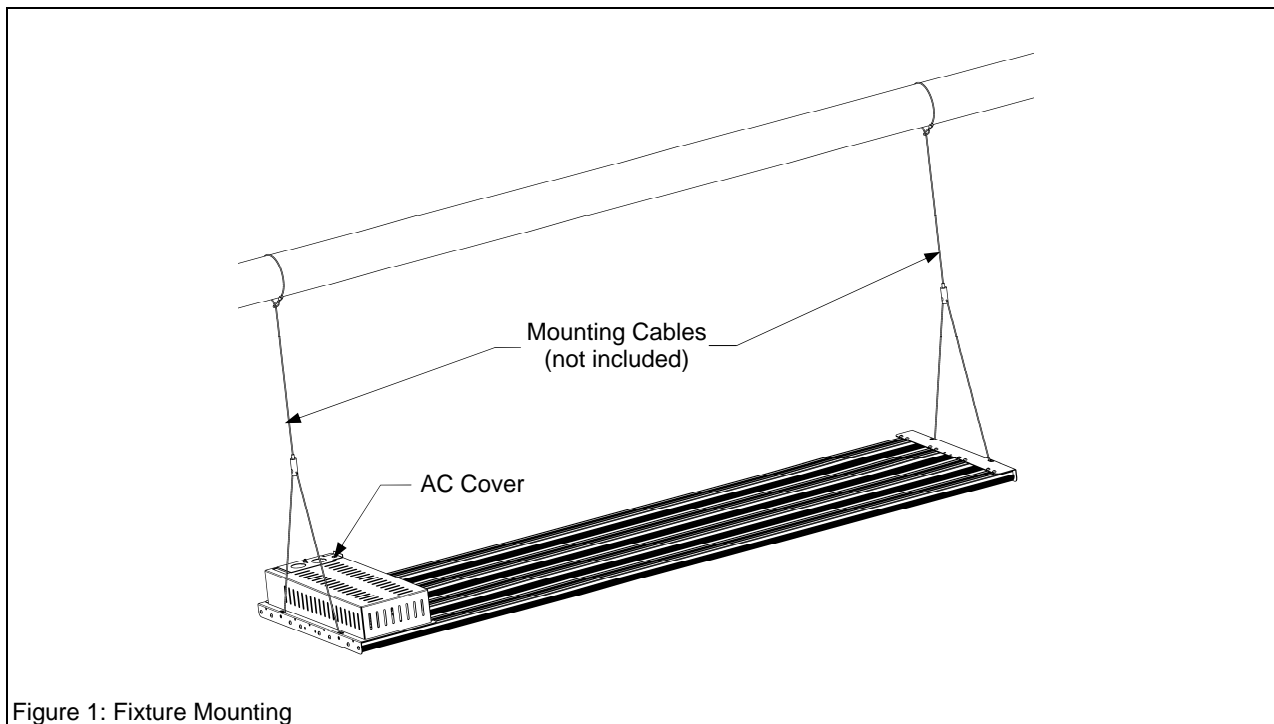


Figure 1: Fixture Mounting

2. **Wiring.** To connect AC power, remove AC cover (Fig. 1), knockout one location and install appropriate strain relief bushing for the hole size provided. Make power connections (Fig. 2) per national and local electrical codes. Route power supply through strain relief and tighten strain relief. Connect supply ground to ground screw provided, supply neutral to neutral wire in box and supply voltage line to voltage wire in box. Replace AC cover when all connections have been made.

