

# INDAK Manufacturing Corporation

## INSTALLATION INSTRUCTIONS

### INDAK LED Retrofit Kit for 2x2 and 2x4 Troffer Light Fixtures with Lenses

For use in 2x2 and 2x4 troffer housings with minimum interior dimensions of:  
22" L x 22" W x 3.25" D (2x2) and 45.5" L x 22" W x 3.25" D (2x4)

#### SAVE THESE INSTRUCTIONS

#### **⚠ IMPORTANT SAFETY INFORMATION**

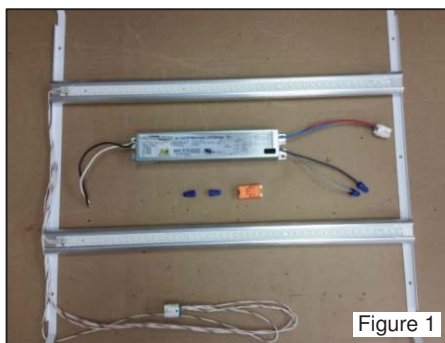
For your protection, read instructions before installation. Retrofit Kit to be installed by a qualified electrician. Gloves should be worn to protect hands from sharp edges. Protective eye wear should be worn to prevent eye injuries.

1. Electric current can cause serious injury, or death. For your safety, remember the following:
  - Turn off the power to fixture circuit.
  - Ground the fixture to avoid potential electrical shocks.
  - Do not handle a fixture that is on.
  - Check all electrical connections to be sure they are tight and correct.
2. Specific safety information concerning fixture:
  - Do not remove or install fixture when power is on.
  - Protect fixture from direct contact with water.
  - Do not operate fixture without covers in place.
3. Install and wire fixture per all applicable national and local electrical codes. **THIS PRODUCT MUST BE INSTALLED IN ACCORDANCE WITH THE APPLICABLE INSTALLATION CODE BY A PERSON FAMILIAR WITH THE CONSTRUCTION AND OPERATION OF THE PRODUCT AND THE HAZARDS INVOLVED.**
4. **⚠ CAUTION: RISK OF FIRE.** All fixtures listed above are rated for use in 110-277V, 50-60 Hz protected circuit and 90°C rated supply wire. Most buildings built before 1985 have supply wire rated 60°C. Consult a qualified electrician before installation. Prior to installing the fixture, check fixture for any signs of damage due to shipping. If damage has occurred, please contact the place of purchase. They will assist you in replacement or repair if required.
5. **⚠ WARNING: RISK OF FIRE OR ELECTRIC SHOCK.** LED Retrofit Kit installation requires knowledge of luminaires electrical systems. If not qualified, do not attempt installation. Contact a qualified electrician.
6. **⚠ WARNING: RISK OF FIRE OR ELECTRIC SHOCK.** Install this kit only in luminaires that have the construction features and dimensions shown in the photographs and/or drawings and where the input rating of the retrofit kit does not exceed the input rating of the luminaire.
7. Do not make or alter any open holes in an enclosure of wiring or electrical components during kit installation.
8. **⚠ WARNING: TO PREVENT WIRING DAMAGE OR ABRASION.** Do not expose wiring to edges of sheet metal or other sharp objects.

#### **Installation**

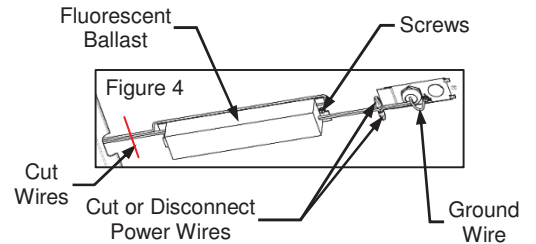
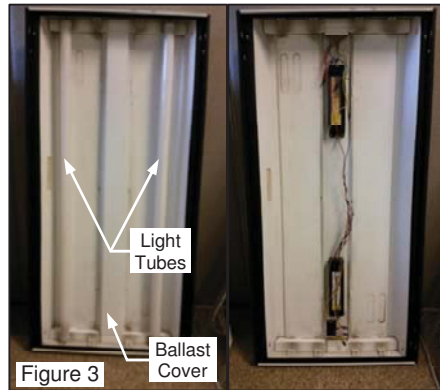
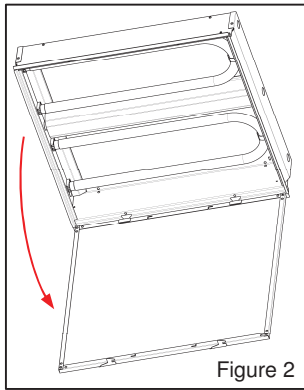
The kit is designed to be installed only into a standard 2x2 or 2x4 safety agency listed troffer-type fixture with a ballast mounting dimension of 9.5 inches and with a lens (diffuser) - not for "parabolic" or "egg-crate" type fixtures.

1. Verify contents of retro-fit kit (Figure 1): LED/Heatsink/Mounting Arm Assembly (1), Power Supply (1), UL-Approved Connector (1), Wire Nuts (2)

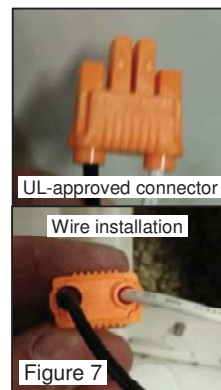
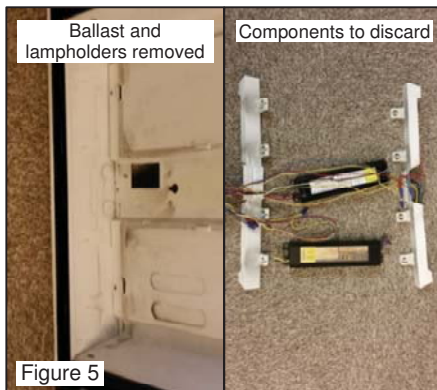


2. Check to be sure the electric power to the fixture is off.

3. Remove (or swing open) the lens and frame assembly from the old fixture (Figure 2).
4. Remove the fluorescent light tubes and dispose of them properly (Figure 3).
5. Remove and save the cover over the old fluorescent ballast (Figure 3).
6. Disconnect or cut the two Power Wires (hot and neutral) to the old fluorescent ballast(s) (Figure 4).
7. Do not remove the ground (green) wire from the fixture (Figure 4).
8. Cut and remove all old fluorescent ballast-to-lamp socket wires (Figure 4).
9. Remove screws that retain the old fluorescent ballast. Retain screws for use with new LED driver (Figure 4).
10. Remove and discard the old fluorescent ballast from the fixture (Figure 4).



11. Completely remove and discard all lampholders and associated wires (Figure 5).
12. Mount the new Power Supply in place of the old fluorescent ballast (Figure 6).
13. Connect the two Power Wires (hot and neutral) to the two Power Supply wires using wire nuts or a UL-approved connector (Figure 7).
14. Position the LED assembly on the inside of the lens (Figure 8). The spring ends of the LED assembly should seat securely to the lens frame. If they do not, stop and contact your dealer.



15. Attach the wire harness from the LED assembly to the wire harness from the Power Supply using the connector shown (Figure 9).
16. Reinstall the old ballast cover over the power supply and close the lens and frame assembly (Figure 10).
17. Restore electric power to the fixture.

